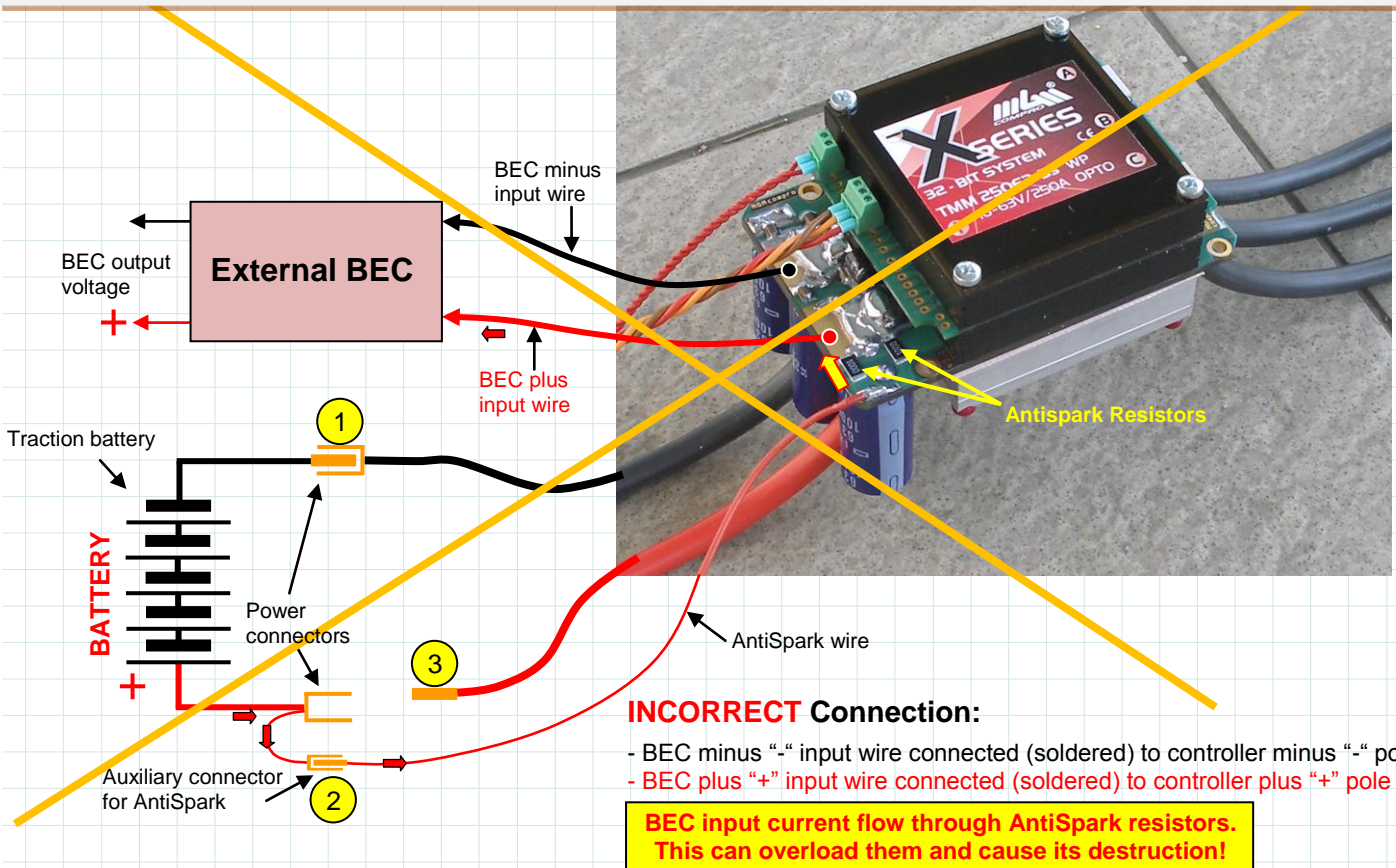
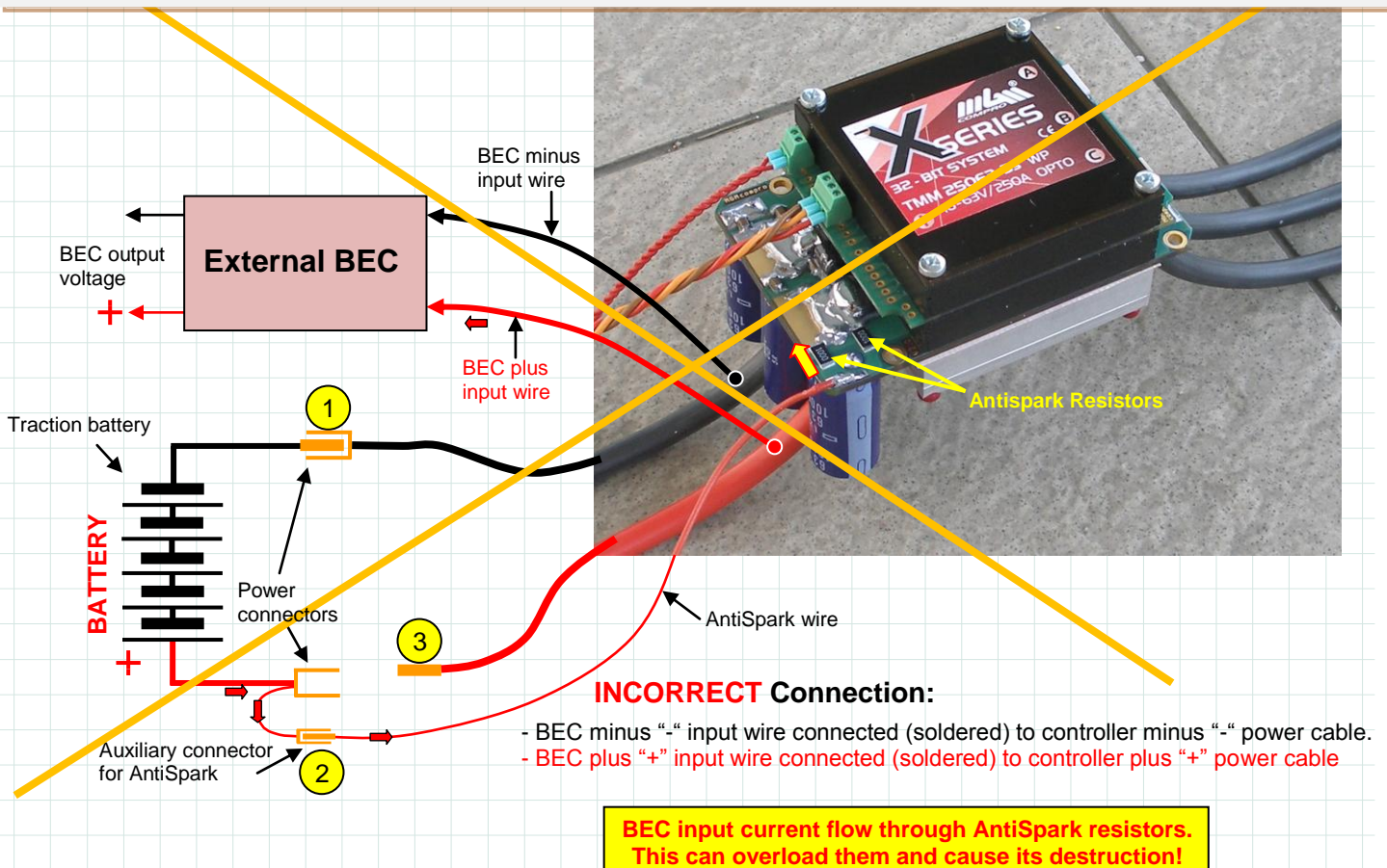


How to connect external BEC (or other device) with the controller (25063, 40063) in case of using integrated AntiSpark

!!! WARNING !!! INCORRECT !!!

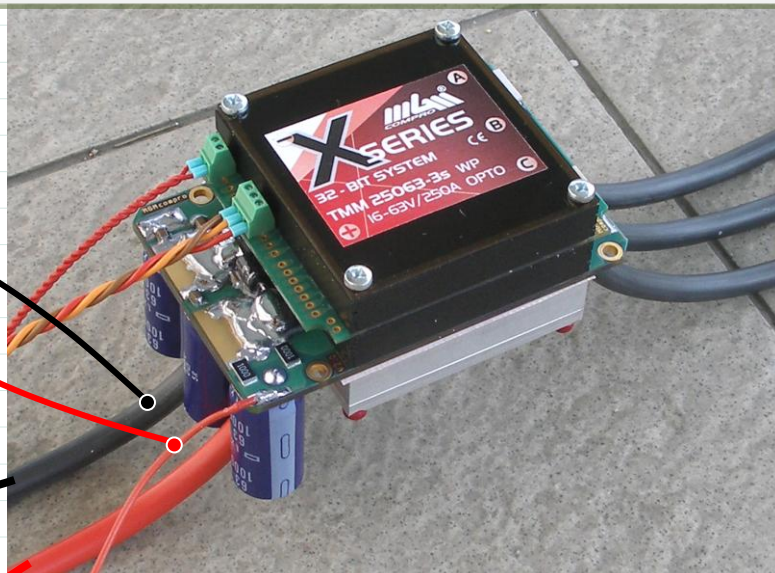
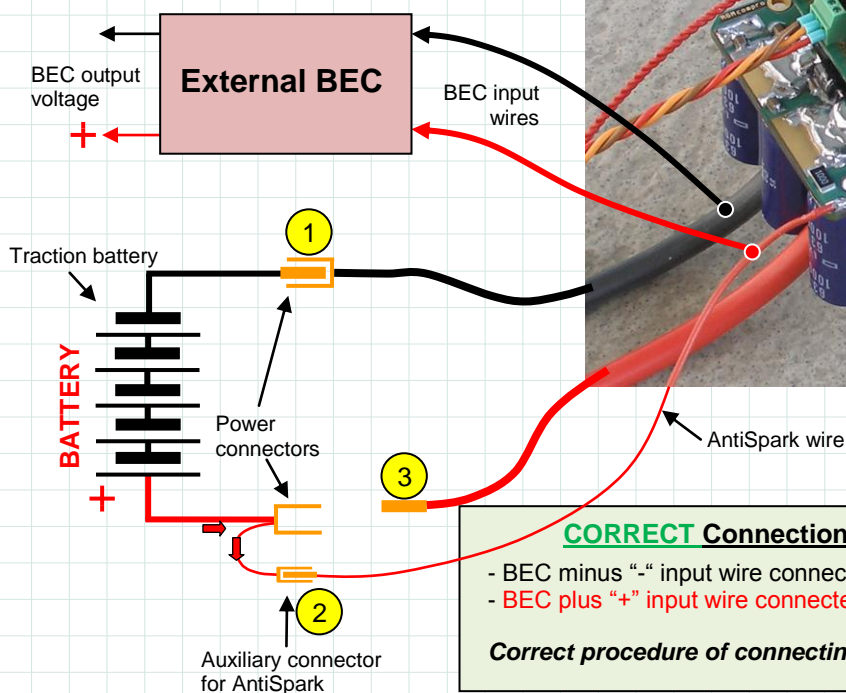


!!! WARNING !!! INCORRECT !!!



CORRECT ✓

- A) BEC minus “-” and plus “+” input wires are soldered to controller’s minus “-” power cable and the AntiSpark wire

**CORRECT Connection:**

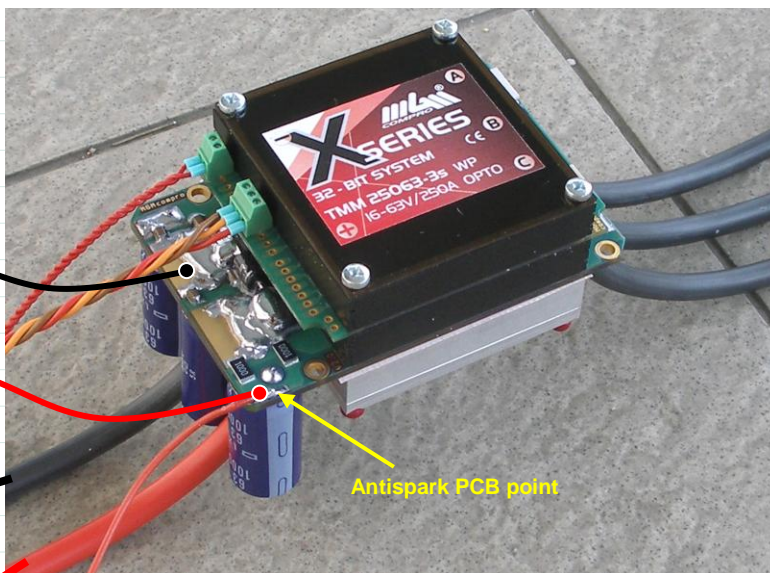
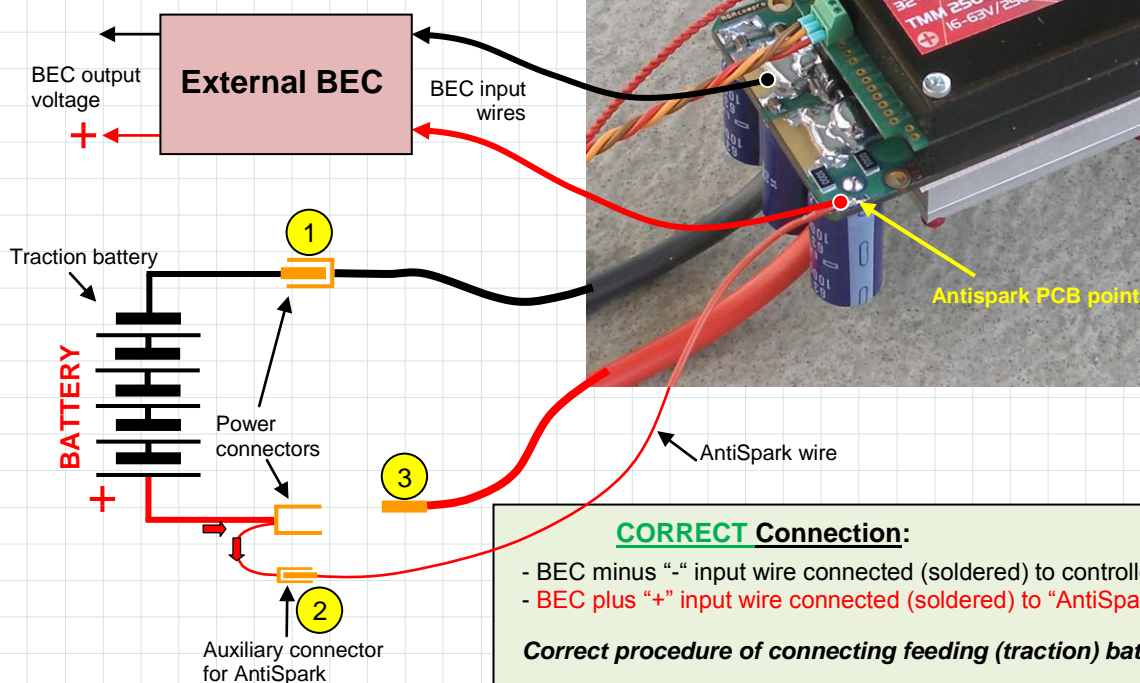
- BEC minus “-” input wire connected (soldered) to controller minus “-” power cable.
- BEC plus “+” input wire connected (soldered) to “AntiSpark wire”

Correct procedure of connecting feeding (traction) battery:

**CORRECT ✓**

Another **CORRECT** possibility is to solder BEC input wires directly to power board (PCB) of the controller. This is electrically correct.
Please note: In case of long soldering directly to PCB or by using wrong soldering tool **you risk damaging the controller and losing warranty!**

- B) BEC minus “-” and BEC plus “+” input wires are soldered directly to controller’s PCB (PCB = Printed Circuit Board)

**CORRECT Connection:**

- BEC minus “-” input wire connected (soldered) to controller minus “-” pole.
- BEC plus “+” input wire connected (soldered) to “AntiSpark PCB point”

Correct procedure of connecting feeding (traction) battery:

